

## 24" Furrion Chef Collection RV 3-Burner Gas Cooktop

***Instruction Manual***

**Model: FGHMSA3DA-SS**



\* Picture shown here is for reference only.



[https://furrion.com/  
collections/cooking](https://furrion.com/collections/cooking)

- \* To view the multi-language user manual, please access the link or scan the QR code.
- \* Pour obtenir le manuel d'utilisateur multilingue, accédez au lien ou scannez le QR code.
- \* Para ver el manual de usuario en otros idiomas, acceda al siguiente enlace o escanee el código QR.

Thank you for purchasing this Furrion® product. Before operating your new appliance, please read these instructions carefully. This instruction manual contains information for safe use, installation and maintenance of the appliance.

Please keep this instruction manual in a safe place for future reference. This will ensure safe use and reduce the risk of injury. Be sure to pass on this manual to new owners of this appliance.

The manufacturer does not accept responsibility for any damages due to not observing these instructions.

**WARNING: If the information in this manual is not followed exactly, a fire or explosion may result causing property damage, personal injury or death.**

- **Do not store or use gasoline or other flammable vapors and liquids in the vicinity of this or any appliance.**
- **WHAT TO DO IF YOU SMELL GAS:**
  - **Do not try to light any appliances.**
  - **Do not touch any electrical switches.**
  - **Do not use any phone in your recreational vehicle.**
  - **Clear the recreational vehicle of all occupants.**
  - **Turn off the LP container valve or main container.**
  - **Immediately call your gas supplier for instructions.**
  - **If you cannot reach your gas supplier, call the fire department.**
- **Have the gas system checked and leakage source corrected by a qualified installer, service agency, manufacturer, dealer or the gas supplier.**

# Table of Contents

|  |           |
|--|-----------|
| <b>Table of Contents</b> .....             | <b>2</b>  |
| <b>Explanation of Symbols</b> .....        | <b>3</b>  |
| <b>Important Safety Instructions</b> ..... | <b>3</b>  |
| General Safety Warnings .....              | 3         |
| Cooktop Safety .....                       | 4         |
| <b>Product Overview</b> .....              | <b>5</b>  |
| <b>Installation</b> .....                  | <b>5</b>  |
| Cabinet Cutout Instructions .....          | 5         |
| What's in the Box .....                    | 6         |
| Installing the Cooktop .....               | 6         |
| Gas Connection .....                       | 7         |
| Leak Check .....                           | 7         |
| <b>Using your Cooktop</b> .....            | <b>7</b>  |
| Lighting the Cooktop .....                 | 7         |
| If the Flame Goes Out .....                | 8         |
| Turning Off the Cooktop .....              | 8         |
| The Burner Flame .....                     | 8         |
| <b>Cleaning and Maintenance</b> .....      | <b>8</b>  |
| Replace the Igniter Battery .....          | 9         |
| <b>Storage</b> .....                       | <b>9</b>  |
| <b>Troubleshooting</b> .....               | <b>9</b>  |
| <b>Specification</b> .....                 | <b>10</b> |

## Explanation of Symbols

This manual has safety information and instructions to help you eliminate or reduce the risk of accidents and injuries. Always respect all safety warnings identified with these symbols. A signal word will identify safety messages and property damage messages, and will indicate the degree or level of hazard seriousness.

### **DANGER**

Indicates an imminently hazardous situation which, if not avoided, will result in death or serious injury.

### **WARNING**

Indicates a potentially hazardous situation which, if not avoided, could result in death or serious injury.

### **CAUTION**

Indicates a potentially hazardous situation which, if not avoided, may result in minor or moderate personal injury, or property damage.

## Important Safety Instructions

Warning and important safety instructions appearing in this guide are not meant to cover all possible conditions and situations that may occur. Common sense, caution, and care must be exercised when installing, maintaining, or operating the appliance.

Always contact the manufacturer about problems or conditions you do not understand.

Read and follow all instructions before using this appliance to prevent the potential risk of fire, electric shock, personal injury or damage to the appliance as a result of improper usage of the appliance. Use appliance only for its intended purpose as described in this guide.

If an external electrical source is utilized, the appliance must be electrically grounded in accordance with state or other codes or, in the absence of such codes, with the National Electrical Code, ANSI/NFPA 70. Do not attempt to adjust, repair, service or replace any part of your appliance unless it is specifically recommended in this guide. All other servicing should be referred to a qualified service technician.

instructions in this manual, then the risk of a fire and/or the production of carbon monoxide exists which can cause personal injury, property damage or loss of life.

### **WARNING**

#### **EXPLOSION OR FIRE**

- Shut off all gas appliances and pilot lights when refueling gasoline tanks, LP tanks or when vehicle is in motion.
- Furrion gas operated cooking appliances are for use with LP gas only, and for installation in recreation vehicles only (e.g. travel trailers, motor homes, tent campers, etc.).

### **WARNING**

#### **CARBON MONOXIDE POISONING**

- DO NOT use range or cooktop for warming or heating vehicle. You could be burned or injured, a fire could start, or deplete oxygen in the vehicle.
- A window or air vent should be open slightly while using any cooking appliance. Gas flames consume oxygen which must be replaced to assure proper combustion.

## General Safety Warnings

### **WARNING**

- Improper installation, adjustment, service or maintenance can cause injury, property damage or death. Refer to this manual. For assistance or additional information, consult a qualified installer, service agency, manufacturer or the gas supplier.
- Avoid using your appliance or any other appliance if you smell gas. Do not assume that the smell of gas in your RV is normal. Any time you detect the odor of gas, it is to be considered life threatening and corrected immediately. Extinguish any open flames including cigarettes and evacuate all persons from the vehicle. Shut off gas supply at LP gas bottle.
- If the user of this appliance fails to maintain it in the condition in which it was shipped from the factory or if the appliance is not used solely for its intended purpose or if appliance is not maintained in accordance with the

- DO NOT store or use gasoline or other flammable vapors and liquids in the vicinity of this or any other appliance.
- DO NOT operate the appliance if it is damaged or not working properly.
- Never attempt to repair the appliance yourself. Any repairs to or installation of this appliance must be performed by a qualified installer, service agency or the gas supplier and in accordance with the instructions in this manual. Service of your appliance by a non-approved service person or agency could result in failure of the integrity of the appliance and could lead to property damage, serious injury or loss of life.
- Have your dealer show you where the main gas shut-off valve is located and how to shut it off in an emergency.
- Use your appliance only for its intended use.
- Children should be taught that the appliance is not a toy. They should not be allowed to play with the controls or

any other parts of the appliance. Do not allow anyone to stand or sit on top of the appliance. Not only can this damage the appliance, but personal injuries could result.

- Do not store items of interest to children in cabinets above or near the appliance. Children climbing on the appliance to reach items could be seriously injured.
- All control knobs must be turned off when not in use. Fire and/or burning hazard may occur if a burner is accidentally left on.
- If any burner should extinguish (after initially lighting or due to accidental blow-out), turn all burner knobs off and wait five (5) minutes before again attempting to light the burner.
- DO NOT store flammable materials on, in, or near the appliance. Any fumes can create an explosion and/or fire hazard.
- Do not wear loose fitting clothing or long-hanging sleeved clothing while using the appliance. If they contact the open flame of the burner, they could ignite and cause severe burns.
- Use only dry potholders to remove hot utensils. Using damp potholders on hot surfaces could result in burns to hands. Do not use a towel or bulky cloth for a pot holder. The cloth could contact open flame and catch fire.
- Never heat an unopened container. Pressure build-up within the container can cause it to explode.
- Do not use water on grease fires. Never pick-up a flaming pan. Smother a flaming pan with a lid or flat pan. Flaming grease outside the pan can be extinguished with baking soda or a multipurpose dry chemical fire extinguisher.
- This appliance is intended to be built-in to a cabinet structure only and is not intended for attachment to the building structure.

## Cooktop Safety

- Do not place pans onto glass surface. Raise cover into full open position before operating burners. Let cooktop cool before closing glass cover.
- If the cooktop is near a window, proper precautions should be taken to prevent curtains from blowing over burners creating a fire hazard.
- Keep the area around the cooktop clean and clear of any combustible materials, gasoline or other flammable vapors and liquids. Not doing so can cause an explosion and/or fire.
- Do not leave children alone or unsupervised in area where cooktop is being used. The top burners, burner grates and other areas near the burners become hot enough to cause severe burns.
- Do not wear loose fitting clothing or long-hanging sleeved clothing while using the appliance. If they contact the open flame of the burner, they could ignite and cause severe burns.
- Use only dry potholders to remove hot utensils. Using damp potholders on hot surfaces could result in burns to hands. Do not use a towel or bulky cloth for a pot holder. The cloth could contact open flame and catch fire.
- Never heat an unopened container. Pressure build-up within the container can cause it to explode.
- Keep the appliance clean. The build-up of grease and food boil-over and/or spillage can create a fire hazard.

- Turn pan handles inward or toward back of cooktop and out of the way of people walking past cooktop and/or out of the reach of children. Do not turn handles to where they are over the burners.
- Do not use water on grease fires. Never pick-up a flaming pan. Smother a flaming pan with a lid or flat pan. Flaming grease outside the pan can be extinguished with baking soda or a multipurpose dry chemical fire extinguisher.
- Never leave top burner(s) unattended.
  - For such reasons as down drafts that could be created by opening and closing of cabinet doors or doors within the RV or by positive or negative air pressures affecting burners due to improper installation. (See Installation section) The burner could extinguish resulting in gas escaping into the RV. Remember, gas flow to each burner is controlled manually, you must turn gas flow “ON” and “OFF”.
  - A boil over could occur and the spill could ignite.
- Flame size
  - Never extend the flame beyond the outer edge of the utensil. A higher flame simply wastes heat and energy.
  - Correct flame size is determined by utensil size and material, what you are cooking and whether or not you are cooking with liquid.



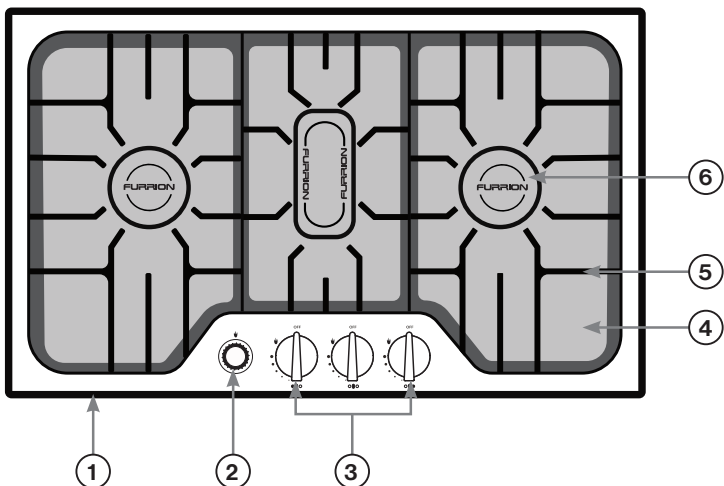
- To prevent damage to the cooktop, top burners, or top grate, never operate a top burner without a pan in place. The top burners, especially the high input burner, should not be operated on high for an extended period of time. The high setting should be used only to start the food cooking or to bring liquids to a boil, then reduce the flame to a lower setting to continue cooking. Use the low flame setting to keep food warm. Remember, a gas range heats quicker than an electric range, therefore, experiment with various settings until you feel comfortable cooking with gas.
- Never use cookware which extends beyond one inch of the grate (maximum pan size 10" diameter). Never place cooking utensil on grate to where it rests over two operating top burners. This will cause excessive heat buildup, which could result in damage in damage to the grate, top burner(s) and cooktop.
- Verify sufficient gas supply before attempting to light any top burner. Air in the gas supply line will significantly delay burner ignition, and a burner may light unexpectedly as the air in the line clears out and is replaced by LP gas, this unexpected ignition may burn you. Air may be introduced into the supply line when the vehicle gas bottle is replaced, during servicing of other gas appliances, etc.
- DO NOT touch top burners, burner grates, or other areas near top burners during and after use. Do not let clothing or other flammable materials to contact top burners or areas near top burners until they have had sufficient time to cool.
- Make sure the utensils you use are large enough to contain food and avoid boil overs and spillovers. Heavy splattering or spillovers left on the cooktop can ignite and burn you.

- Be sure that glass cooking utensils are safe for use on the cooktop. Only certain kinds of glass utensils are suitable for surface or top burner use without breaking due to the sudden changes in temperature.
- Grease is flammable. Never allow grease to collect around top burners or on cooktop surface. Wipe spillovers immediately.
- Use care when lighting a top burner by hand. If the burner

lights unexpectedly, or your hand is close to the burner, you may be burned.

- DO NOT drop pans on the porcelain surface. Cracks or chips in the porcelain surface may result.
- DO NOT leave an empty utensil, or one which has boiled dry, on a hot top burner. The utensil could overheat and damage the utensil or the cooking appliance.

## Product Overview



| Item | Description                              |
|------|--|
| ①    | Product Rating Plate (bottom of cooktop) |
| ②    | Ignite Button                            |
| ③    | Control Knob                             |
| ④    | Burner Pan                               |
| ⑤    | Burner Grate                             |
| ⑥    | Surface Burner (large)                   |

## Installation

### ⚠ WARNING

#### FIRE, EXPLOSION, BURN INJURY CARBON MONOXIDE POISONING

- The cooking appliance must be completely separated and/or sealed from other air moving or air consuming devices such as, but not limited to furnaces, microwave ovens clothes dryers, cooling fans and doors or drawers in common cabinets. Failure to do so will affect the appliance(s) combustion air supply by creating either a negative or positive draft.
- **NEGATIVE DRAFT** caused by air moving appliances may draw the top burner flame down into or toward the cooktop resulting in cooktop damage, burn hazard, explosion possibility and/or carbon monoxide build up.
- **POSITIVE DRAFT** may blow out the top burner flame during use resulting in an explosion and/or fire hazard and/or injury to the occupants of the vehicle.
- **DO NOT** operate the appliance in excessive windy conditions as this may cause a negative or positive draft.

### ⚠ WARNING

Installation of this appliance must be made in accordance with the written instructions provided in this manual. No agent, representative or employee of Furrion or other persons has the authority to change, modify or waive any provision of the instructions contained in this manual.

The installation must conform with local codes or in the absence of such codes, refer to the latest edition of:

In the U.S.A.:

- Standard for Recreational Vehicles NFPA 1192
- National Fuel Gas Code ANSI Z223.1/NFPA 54

In Canada, the installation must conform with:

- Standard CAN/CSA Z-240.4.2-08, Installation Requirements for Propane Appliances and Equipment in Recreational Vehicles.
- Any applicable local codes and regulations

### Cabinet Cutout Instructions

For proper operation of your cooking appliance, the cabinets must be properly constructed and squared with respect to the counter top and the cabinet face.

For proper operation of the appliance, the cabinet must be level and the bottom of the appliance must be supported.

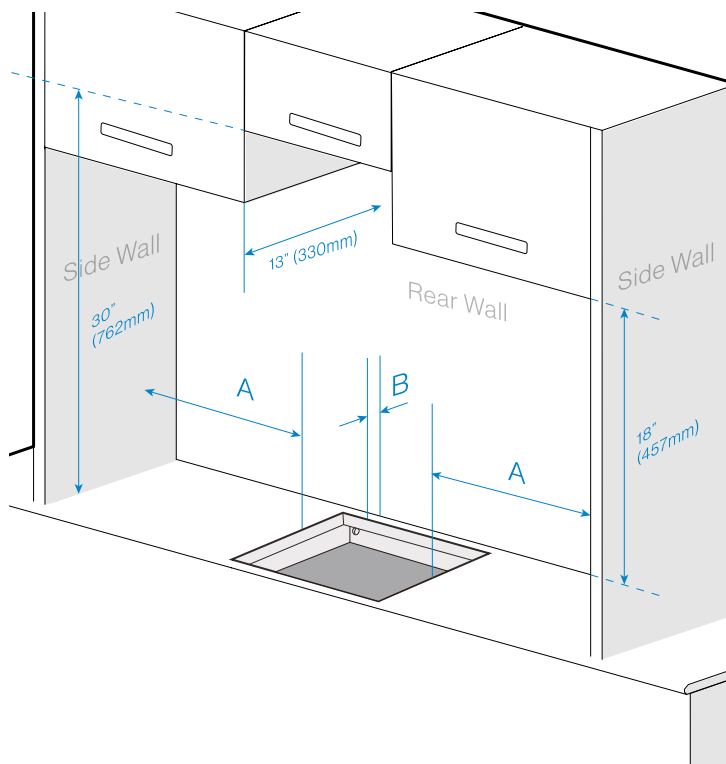


**NOTES:** When planning the location, consider curtains or other combustible materials installed around the appliance so as not to create a fire hazard.

The minimum horizontal distance(s) from sides and back of appliance to adjacent vertical combustible walls extending above the top panel:

| Item | Dimension           |
|------|---------------------|
| A    | 2" Min. (51mm Min.) |
| B    | 2" Min. (51mm Min.) |

**NOTE:** These distances shall be from the cutout of the countertop.

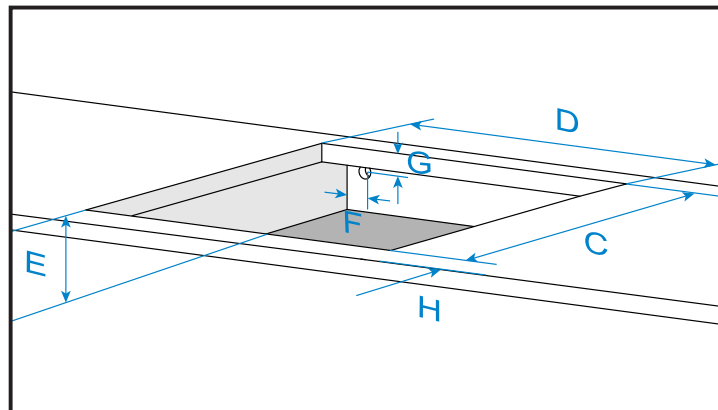


### ⚠ WARNING

The minimum vertical distance to combustible material above the range cooking top is 30" (762mm), provided the overhead construction does not extend 13" (330 mm) from the rear wall.

**NOTE:** If installing a range hood or microwave hood combination above the cooking surface, follow the range hood or microwave hood combination installation instructions for dimensional clearances above the cooktop surface.

Cabinet and counter cutout chart:



|   |   |
|---|---|
| C | 14 <sup>3</sup> / <sub>8</sub> " (365mm)  |
| D | 23 <sup>1</sup> / <sub>2</sub> " (597mm)  |
| E | 4" (102mm)                                |
| F | 1 <sup>15</sup> / <sub>16</sub> " (50mm)  |
| G | 3 <sup>15</sup> / <sub>16</sub> " (100mm) |
| H | 3 <sup>3</sup> / <sub>8</sub> " (85mm)    |

### What's in the Box

Make sure you have all the items in the packaging as listed below. For missing item(s), contact your dealer.

- Single stainless steel gas cooker unit
- Flexible gas supply hose with a <sup>3</sup>/<sub>8</sub>" female flare fitting with a <sup>5</sup>/<sub>8</sub>" -18UNF thread connection
- Butyl Tape
- 1 AA Battery
- User Manual
- Warranty Leaflet

### Installing the Cooktop

### ⚠ WARNING

Gas supply pipe must be installed with clearance from knives contacting or cutting gas lines.

**IMPORTANT:** Before finally fixing the cooktop into the cabinet, ensure there is a ventilation hole for air circulation around the cooktop in the cabinet. The location of the ventilation hole can be located at the rear, sides or bottom of the cabinet. The minimum diameter is 2" (50mm). The clearance between the cooktop bottom to the combustible materials is no less than 1" (25.4mm). Ensure the countertop, surrounding materials and bonding agents have a temperature rating of no less than 193°F (95°C) to avoid deformation or discoloration.

1. Affix the roll of butyl tape (included in the cooktop packaging) around the underside edge of the cooktop. Remove the butyl tape protective film.
2. Connect a propane supply line with a <sup>3</sup>/<sub>8</sub>" Flare Female connection to the cooktop in the upper left rear corner of the cabinet. Tighten the gas line joint to the cooktop using 2 wrenches.

**NOTE:** Make sure the gas supply pipe cannot contact any moving parts after installed. Be sure all openings in the cabinet around the gas line are sealed at time of installation.

- Place the cooktop into the cutout and verify that the cooktop is level from side to side and front to rear. Press on the cooktop edges to seal.

If installed with a Furrion range oven, refer to the separate range oven instruction manual about the cabinet constructions and range oven installation instructions.

## Gas Connection

Connect the cooktop to a designated gas supply line from the RV main gas line which runs externally under the RV floor. Do not use an existing gas connection inside the RV to supply two appliances.

Cooktop must be connected separately, each appliance must have separate isolation valves to render them independent from one another.

This cooktop can be used with Propane Gas only.

This cooktop is fitted with a gas supply hose with a  $\frac{3}{8}$ " female flare fitting with a  $\frac{5}{8}$ " - 18UNF thread connection. For installation use copper pipe and CSA or UL certified connectors which conform to USA and Canadian safety standards.

Ensure when cooktop is installed the flexible gas supply hose cannot touch any moving parts. Make sure adequate space is available so the supply pipe will not be bent or damage after installation.

## Leak Check

### ⚠ WARNING

#### FIRE OR EXPLOSION

- Extinguish all open flames.
- NEVER leak test when smoking. Never use a flame.
- Do not use the appliance until connection has been leak tested and does not leak.
- Pressure/Leak test using 11-13.8 WC pressure.

### ⚠ WARNING

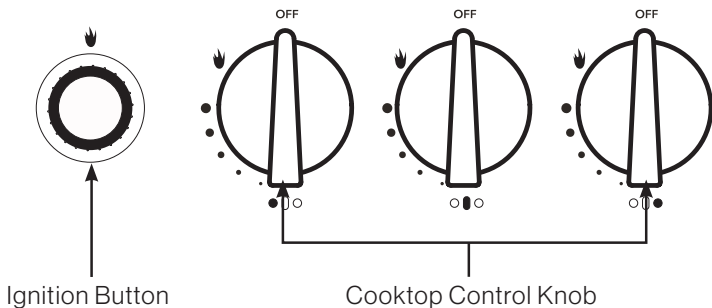
- Gas leaks may occur in your system and result in a dangerous situation. Always perform a leak test for possible leaks according to the manufacturer's instructions after installation and before any operation.
- Gas leaks may not be detected by smell alone. Gas suppliers recommend you purchase and install a UL approved gas detector.

- Make sure all control knobs are in the **OFF** position.
- Apply a gas leak detection liquid to the connections. Any gas leaks will be indicated by bubbles.
- If a gas leak is detected, tighten the loose joint, or replace the faulty part with a replacement part recommended by Furrion authorized retailer.

## Using your Cooktop

### ⚠ WARNING

- Keep your arms and face away from being directly above the cooking area while in operating the appliance.
- Do not attempt to light more than one burner at a time.



## Lighting the Cooktop

Before Ensure all the cooktop knobs are turned to **OFF** position. Check the gas supply valve at the gas tank is in **OPEN** position.

### Standard Ignition:

- Push and turn the desired cooktop knob counterclockwise to position.

- Keep the cooktop control knob being pushed in and press the ignition button repeatedly until the burner is lit.
- Keep the cooktop knob being pushed in for 10-15 seconds until the flame steady to disable the safety cut off.
- Turn the control knob clockwise or counterclockwise to the desired heat level. For simmer function, turn the control knob to the lowest setting.
- Repeat steps 1 to 4 to light the other burner(s).

### NOTES:

- This cooktop is fitted with a burner safety cut off, if a flame is not present, the gas supply will shut off automatically.
- If no spark is present when pressing the igniter, check or replace the AA battery by unscrewing the igniter cover. Never attempt to operate the appliance with battery power exhausted.

### If the burner does not ignite

This cooktop is fitted with a burner safety cut off, if a flame is not present, the gas supply will shut off automatically. In the event of failure to light the burner within 5 seconds, immediately turn the control knob clockwise to the **OFF** position. Wait at least 5 minutes and repeat the igniting procedure. If ignition still not occur, use a gas lighter or a match to light the burner. Refer to the '**Manual Ignition**' section.



## Manual Ignition

### ⚠️ WARNING

Use care when lighting the burners by hand. If a burner lights unexpectedly, or your hand is too close to the burner, you could be burned.

In the event of failure to ignite the burner in standard ignition, you may light the burner manually by following the steps below:

1. Turn the appropriate burner control knob counterclockwise to the 🔥 position.
2. Immediately strike and place a burning long wooden match or a gas lighter near the burner to light.
3. Repeat steps 1 to 2 to light the other burner(s) as required.
4. Rotate the burner control knob to adjust the flame to desired level.

## If the Flame Goes Out

### ⚠️ WARNING

#### Risk of Fire!

If the flame goes out accidentally, gas will escape. Never leave the gas burner unattended during operation. Ensure that there are no drafts that can affect the burner flame.

Immediately turn the control knob to the **OFF** position. Wait at least 5 minutes and light the burner again.

## Turning Off the Cooktop

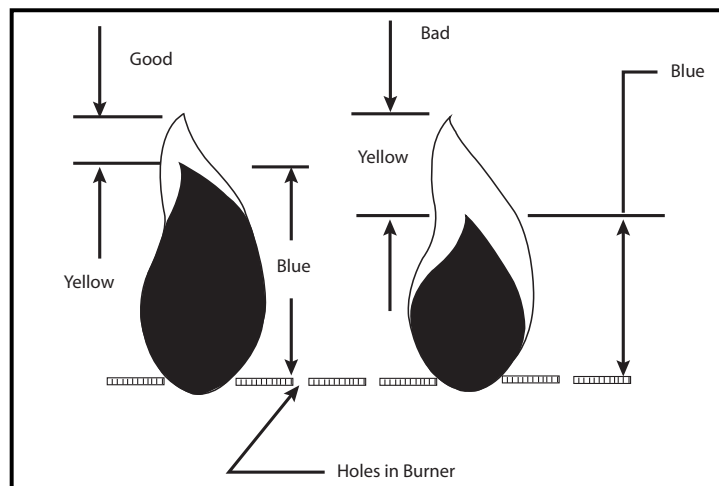
### ⚠️ WARNING

Always turn off the gas tank valve when refueling or traveling.

To turn the cooktop burners off, rotate the control knobs clockwise to the **OFF** position.

## The Burner Flame

Flames should appear similar to the good flame shown in diagram below.



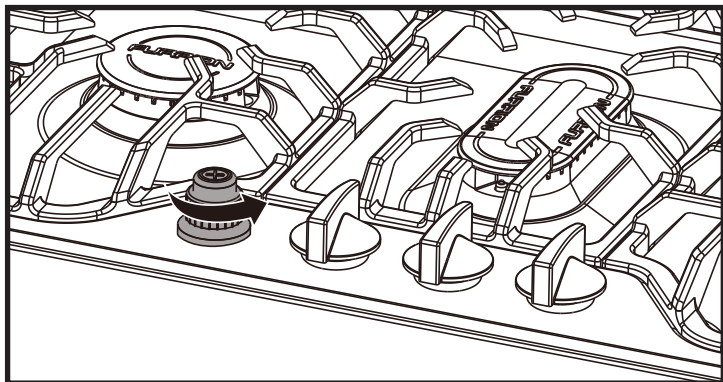
A good flame should be blue with a yellow tip. Some yellow tips on flames up to 1" (25.4mm) in length are acceptable as long as no carbon or soot deposits appear. If flames are excessively yellow and irregular, the oil residue may not be completely burned off, or the venturi may be clogged or may not be properly positioned over the orifices.

## Cleaning and Maintenance

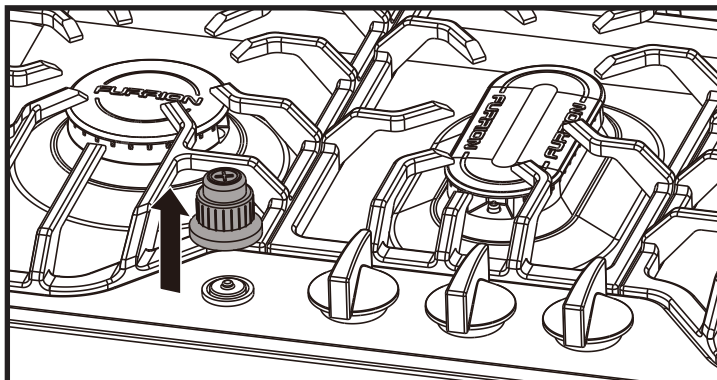
- Make sure all the control knobs are off and the appliance is cool before cleaning.
- Make sure all the appliance surfaces, burner grates and burners are cool before cleaning or disassembling.
- DO NOT use bleach or rust removers on the cooktop or burner grates.
- DO NOT obstruct the flow of combustion and ventilation air.
- Keep the appliance area clear of combustible materials, gasoline and other flammable vapors and liquids.
- Never use a wire brush or metallic item for cleaning burner ports or orifices. Brush may "shed" bristles that may lodge in the orifice or burner ports and cause a fire or explosion.
- Clean all surfaces as soon as possible after boilovers or spillovers.
- Use warm soapy water only to clean the burner grates, cooktops, painted surfaces, porcelain surfaces, stainless steel surfaces and plastic items on your range or cooktop. Do not use grit or acid-type cleaners. Do not use cleaners with ammonia. Cleaners of these types are corrosive and could damage component parts in the range.
- DO NOT use steel wool, or abrasive cleaners, or acid type cleaners such as chlorine bleach on your cooktop or grate systems. They will damage your range or cooktop. Use only non-abrasive plastic scrubbing pads.
- DO NOT allow foods containing acids (such as lemons or tomato juice, or vinegar) to remain on porcelain or painted surfaces. Acids may remove the glossy finish. Wipe up egg spills when cooktop is cool.
- DO NOT wash warm porcelain surfaces. Allow these areas to cool before cleaning. You could burn yourself or the porcelain could crack.
- Pitting and discoloration will result if spills are allowed to remain for any length of time on stainless steel.
- DO NOT allow spillovers to remain on the burner caps. The caps could become permanently stained.
- When cleaning around the burners, use care to prevent damage to the electrode (if so equipped). If a sponge or cloth should catch the metal igniter electrode, it could damage or break the electrode. If this occurs the burner will not light.

## Replace the Igniter Battery

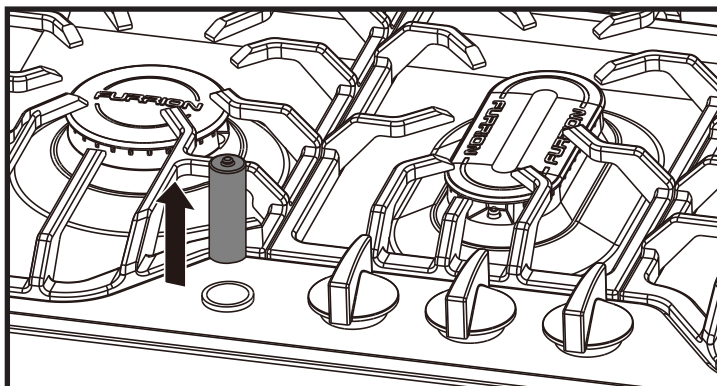
1. Unscrew igniter by twisting the lower collar of the button.



2. Remove the cover and remove the battery.



3. Replace the battery with a new AA size 1.5V battery.



## Storage

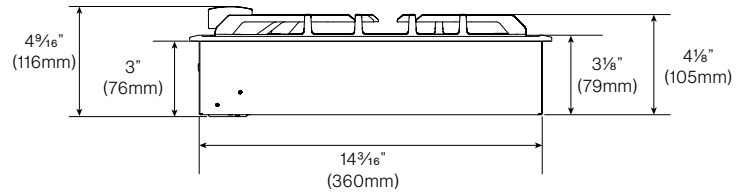
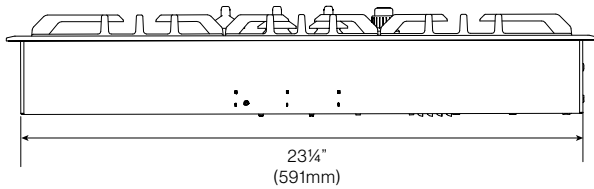
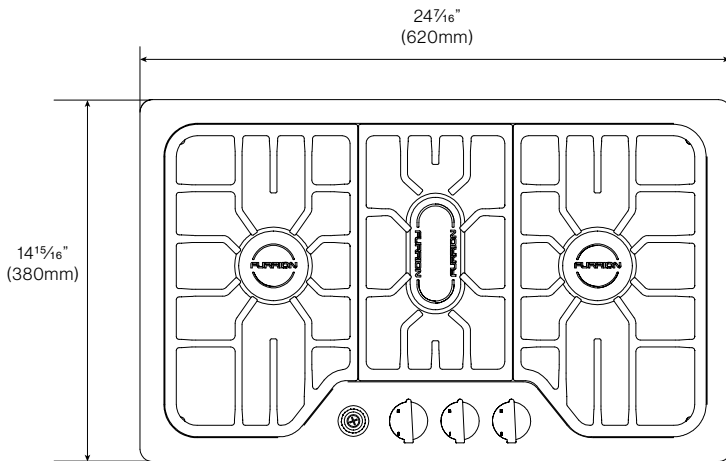
Dry all surfaces and burner box, then spray surfaces with cooking oil substance to preserve the surface from rusting during long term storage. Wipe off oil coating before reuse.

## Troubleshooting

Before calling for service, review this list. It may save you both time and expense. This list includes common experiences that are not the result of defective workmanship or material in your appliance.

| Problem                                    | Possible Cause/Solution   |
|--|---|
| Burner will not light                      | Surface Control knob has not been completely turned to 🔥 position. Push in and turn the Surface Control knob to 🔥 position until burner ignites and then turn control to desired flame size.                    |
|  | Ensure gas supply valve is open.  |
|  | Burner ports or slots are clogged. With the burner off, use a small-gauge wire or needle to clean ports or slots.   |
|  | Low gas supply level in LP tank. Verify there is sufficient LP in the supply tank.  |
| Surface burner flame burns half way around | Battery power insufficient. You should hear a clicking sound when pressing on the igniter. To replace battery see page 9.   |
|  | Moisture is present on the burner, dry burner thoroughly.   |
|  | Burner ports or slots are clogged. With the burner off and the cooktop has cooled, clean ports with a small-gauge wire or needle to clean ports or slots.   |
| Surface burner flame is orange.            | Moisture is present after cleaning. Lightly fan the flame and allow burner to operate until flame is full. Dry the burners thoroughly following instructions under " <b>Cleaning and Maintenance</b> " section. |
|  | Potential for dust particles in the main line. Allow the burner to operate for a few minutes. See page 8 for burner flame evaluation.   |
|  | In coastal areas, a slightly orange flame is unavoidable due to salt air.   |

# Specification



## Technical Specifications

|                       |                            |                                     |
|-----------------------|----------------------------|-------------------------------------|
| <b>BTU/HR</b>         | Central                    | 2,000 BTU/HR Min., 7500 BTU/HR Max. |
|                       | Left & Right               | 1,800 BTU/HR Min., 7500 BTU/HR Max. |
| <b>Fuel / Power</b>   | Propane (LP Gas)           |                                     |
| <b>Inlet pressure</b> | 10" WC Min to 13.8" WC Max |                                     |
| <b>Power input</b>    | 1.5V AA Battery            |                                     |

This appliance conforms with the directives: ANSI Z21.57a-(2012) Rec / CAN1-1.16-M79 (R2011)



## **Furrion Innovation Center & Institute of Technology**

- 52567 Independence Ct., Elkhart, IN 46514, USA • Toll free:1-800-789-3341
- Email: [support@furrion.com](mailto:support@furrion.com)

©2007-2020 Furrion Ltd. Furrion® and the Furrion logo are trademarks licensed for use by Furrion Ltd. and registered in the U.S. and other countries.

**[www.furrion.com](http://www.furrion.com)**

IM-FHA00101 V1.0